

## Specifications

### Features

- Multi-use Reversing Relay Module
- Operates both two-wire and four-wire smoke detectors
- Compatible with both Class A and Class B initiating circuits
- Compatible with 12 V and 24 V control panels
- Compatible with the following Radionics Fire Alarm Control Panels (FACP): 2000 Series; 9000 Series; D8024, D9024 and D10024 Analog Series; D9124, D7022 and D7024

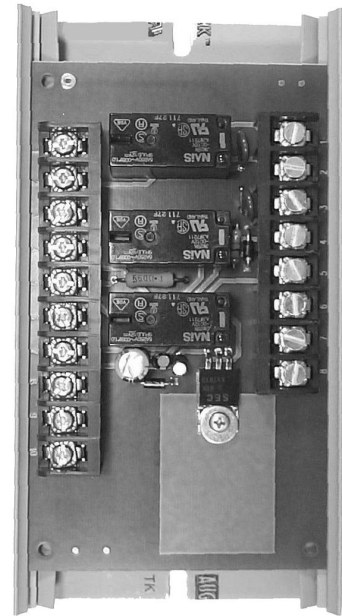
### Description

The D132B is a multi-purpose, fully configurable smoke power-reversing relay module for activating detectors with local annunciation.

An alarm latch connection is provided to allow an initiating loop to be held in alarm after the detector loop power has been reversed to activate any sounders.

The D132B does not affect compatibility between the FACP and detectors, or the FACP and Notification Appliance Circuits (NACs).

The maximum current available from the FACP smoke power terminals or NACs limits the total number of reversible smoke detectors that can be connected to the D132B.



**D132B Multi-use Reversing Relay Module**

### Application

The D132B Multi-use Reversing Relay Module can be used whenever detectors with local sounders need to be activated for an alarm.

### Installation

The D132B mounts conveniently and easily into the fire panel's control panel using a snap track and the supplied hardware.

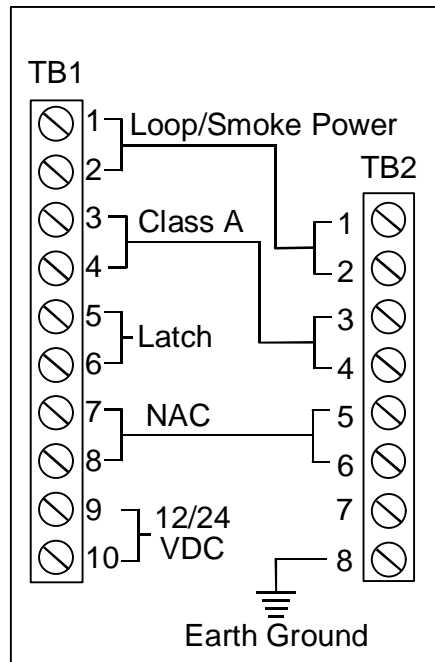
There are several ways to wire the D132B depending on the intended control panel.



## Specifications

| D132B Specifications         |   |
|------------------------------|---|
| Operating Voltage            | 10.2 VDC to 30.0 VDC  |
| Standby Current              | <1 $\mu$ A  |
| Alarm Current*               | Approx. 150 mA (drawn from Terminals 7, 8)                            |
| Max. Initiating Loop Current | 4 A @ 30 VDC (drawn from TB2 Terminals 1, 2) supplied Terminals 9, 10 |

\* Alarm current must be figured into the bell load.



**D132B Terminal Block Descriptions**

Refer to the D132B Installation Guide for specific control panel wiring diagrams.

## Listings and Approvals

- UL864
- FM
- CE
- CSFM (pending)

## Ordering Information

| Model Number | Description                             |
|--------------|---|
| D125B        | Dual Class B, Style A Initiating Module |
| D132B        | Multi-use Reversing Relay Module        |
| D192C        | Indicating Circuit Supervision Module   |
| D192D        | Indicating Circuit Supervision Module   |
| D275         | EOL Power Supervision Module            |
| D2212B       | 12 V Control/Communicator               |
| D2412        | 12 V Control/Communicator               |
| D2812        | 12 V Control/Communicator               |
| D7014        | Class A Zone Converter                  |
| D7022        | 12V/24V Fire Alarm Control Panel        |
| D7024        | 24V Fire Alarm Control/Communicator     |
| D7212        | 12 V Control/Communicator               |
| D7412        | 12 V Control/Communicator               |
| D8024        | Analog Fire Alarm Control Communicator  |
| D9024        | Analog Fire Alarm Control Communicator  |
| D9112        | 12 V Control/Communicator               |
| D9124        | 24 V Fire Alarm Control/Communicator    |
| D9412        | 12 V Control/Communicator               |
| D10024       | Analog Fire Alarm Control Communicator  |